



# HEATING VENTILATION AND AIR CONDITIONING (HVAC) ASSEMBLY SOLUTIONS FOR INDUSTRY

# BONDING, SEALING AND DAMPING SOLUTIONS FOR HVAC SYSTEMS

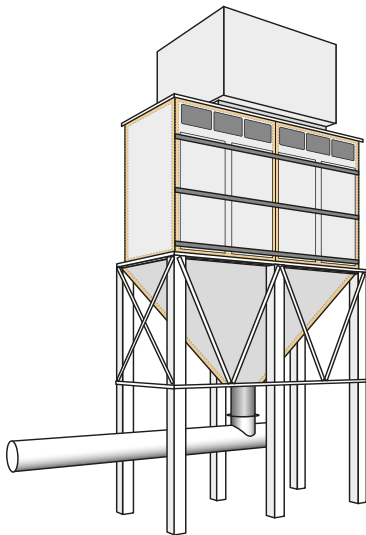
Whether a structural bond or generic seal is required, Sika offers a wide range of solutions optimised for the entire assembly process whilst satisfying the most demanding market requirements. Manufacturers of HVAC systems rely on Sika's technologies to bond, seal and soundproof wall panels and frames in filter systems, delivering cost-optimization and long-term results.

## ADVANTAGES

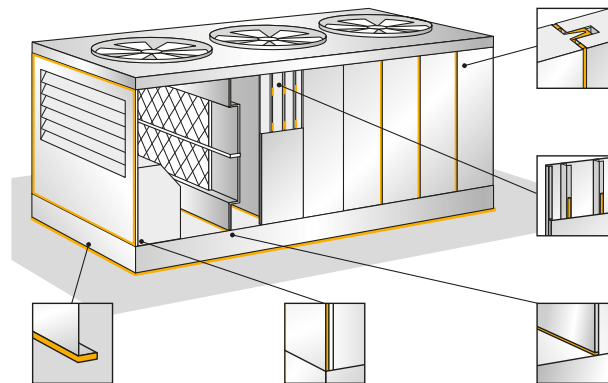
- High load-resistant solutions
- Replaces welding or other mechanical fixation methods
- Eliminates risk of heat distortion
- Noise and sound reduction
- Sealing and bonding in one step
- Improved visual aesthetics
- Reduced assembly time

## PRODUCT FEATURES

- Sikaflex® solutions: STP and PU elastic adhesives and sealants
- Assembly performance: Sikaflex®-552 AT and Sikaflex®-953
- UV-resistant and primer-free solutions: Sikaflex®-522 and Sikaflex®-551
- Fungus- and mold-resistant (VDI 6022 / ISO 846): Sikaflex®-522, Sikaflex®-551 and Sikaflex®-953 AF
- Gap filling and short handling time with the 2-component technology of Sikaflex®-953 and Sikaflex®-953 AF

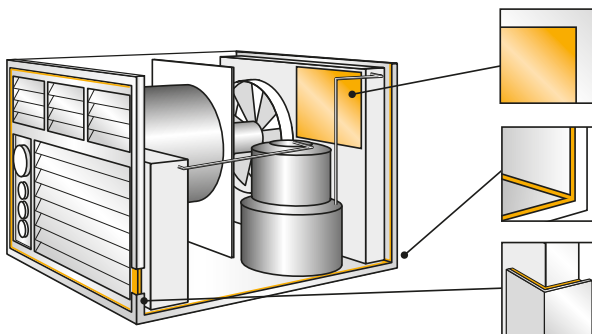


Metal frame sealed and bonded with **Sikaflex®-551**.



1. Sealing of wall panels: **Sikaflex®-221**.
2. Bonding of wall panels: **Sikaflex®-552 AT** or **Sikaflex®-522** if hygiene requirements must be met.
3. Seam sealing: **Sikaflex®-522** or **Sikaflex®-221** fulfills hygiene requirements for HVAC systems.

5. Perimeter sealing: **SikaLastomer®-710**.
4. Structural corner bonding: **SikaForce®-840 L7** or **Sikaflex®-953 AF** fulfills hygiene requirements for HVAC systems.



1. Vibration damping: **SikaDamp®-620**. For sprayable application SikaGard®-6682 can be used.
2. Seam sealing: **Sikaflex®-522** or **Sikaflex®-551** fulfills hygiene requirements for HVAC systems and equipment.
3. Structural corner reinforcements: **Sikaflex®-552 AT**. For faster curing, **Sikaflex®-953** and **Sikaflex®-953 AF** can be used.

## SIKA SERVICES AG

Tueffenwies 16  
CH-8048 Zurich  
Phone: +41 (0) 58 436 40 40  
Fax: +41 (0) 58 436 55 30  
www.sika.com/appliances

Our most current General Sales Conditions shall apply.  
Please consult the Data Sheet prior to any use and processing.



**BUILDING TRUST**

